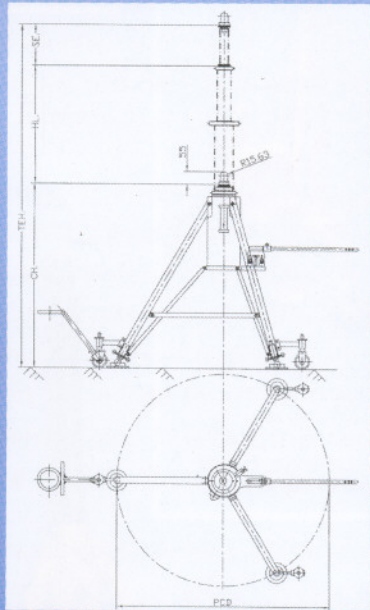


JACK TECHNICAL SPECIFICATION

SL	JACK MODEL	CAPACITY	LIFT	CLOSED HEIGHT	SCREW EXTENSION	EXTENDED HEIGHT	NO.OF STAGES	BASE SIZE	AIRCRAFT NAME	VANKOS REF. DRG. NO. VSD
		TONNES	MM	MM	MM	MM		MM x MM		
1	VAJ-1.5/650	1.5	650	1350	-----	2000	1	-----	DORNIER 228	680.1
2	VTEJ-3/200	3	200	190	-----	390	2	355x100	DORNIER 228	676.1/R1
3	VTEJ-3/610 (2 STAGE)	3	610	500	-----	1110	2	-----	DORNIER 228	677.1
4	VTEJ-3/610 (4 STAGE)	3	610	285	-----	895	4	486x175	WESTLAND H/C	813
5	VTEJ-2/702	2	702	370	-----	1072	3	-----	H/C DAUPHIN	813.1
6	VTEJ-3/575	3	575	325	-----	900	3	-----	HELICOPTER	66.1
7	VTEJ-5/900-A	5	900	760	-----	1660	2	-----	IJT	27.04
8	VTEJ-5/900-B	5	900	650	-----	1550	2	-----	IJT	27.05
9	VAJ-10/813	10	813	1145	150	2108	1	-----	HS-748	67
10	VTEJ-8/425	8	330	210	95	635	3	290x145	HS-748	65.1
11	VTEJ-10/1020	10	1020	825	310	2155	2	-----	MIG 27	80.3
12	VTEJ-7/1300 (N)	7	1300	1265	-----	2635	2	-----	MIG 27 NOSE	677.11
13	VTEJ-10/1030 (M)	10	1030	760	310	2100	2	-----	SUKHOI	677.9R1
14	VTEJ-10/1030 (N)	10	1300	1265	-----	2635	2	-----	SUKHOI	677.11
15	VAJ-20/1100	20	1100	1550	150	2800	1	-----	RJ-70	860.05R2
16	VTEJ-15/1400	15	1400	1270	150	2820	2	-----	RJ-70	860.06R2
17	VTEJ-3/350	3	350	285	-----	635	2	100x355	H/C	676.5
18	VTEJ-3/450	3	450	325	125	900	2	-----	H/C	66.2/SP
19	VAJ-20/1200	20	1200	3750	400	5350	1	-----	AN-12	75
20	VAJ-5/667A	5	667	1092	-----	1759	1	-----	SEA HARRIER	51.1
21	VAJ-5/667B	5	667	813	-----	1480	1	-----	SEA HARRIER	51.1

**Customers to provide following details to us for their required Hydraulics Jacks :
Application, Capacity, Hydraulic Lift/Stroke, Closed Height, Jacking Pad Dimensions and Aircraft Model.**

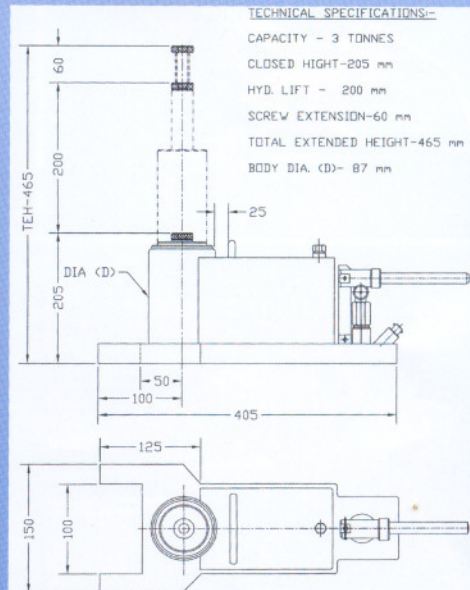
VTEJ-10/1030(N)
CAPACITY 10 TONNES
CLOSED HEIGHT 1490 MM
LIFT 1030 MM
SCREW EXT 310 MM
BASE DIA PCD 1415 MM



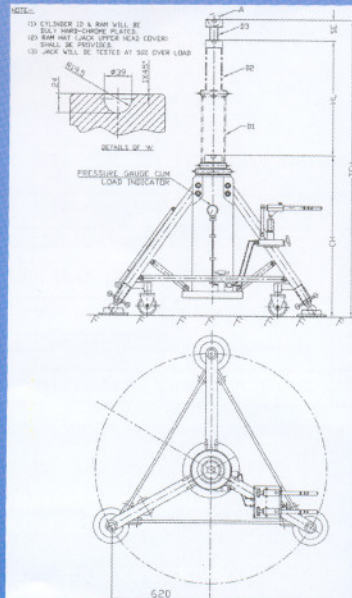
VTEJ-3/200

TECHNICAL SPECIFICATIONS:-

- CAPACITY - 3 TONNES
- CLOSED HEIGHT-205 mm
- HYD. LIFT - 200 mm
- SCREW EXTENSION-60 mm
- TOTAL EXTENDED HEIGHT-465 mm
- BODY DIA. (D)- 87 mm



VTEJ-15/1400
CAPACITY 15 TONNES
CLOSED HEIGHT 1270 MM
LIFT 1400 MM
SCREW EXT 150 MM



VTEJ-3/450

